

OPERATING PERFORMANCE

Operating Weight - Cab	3,935 kg
Operating Weight - Canopy	3,865 kg
Bucket Capacity (Heaped)	0.105 m ³
Slew Speed	9.8 min ⁻¹
Travel Speed	
1st	2.5 km/h
2nd	4.9 km/h
Gradeability	30°
Ground Pressure - Cab	30.4 kPa
Ground Pressure - Canopy	29.9 kPa
Maximum Bucket Breakout Force	26.5 kN
Maximum Arm Digging Force	18.0 kN
Traction Force	39.4 kN
Boom Swing Angle (Left/Right)	30° / 15°

ENGINE

Model	Yanmar / 3TNV88
Rated Output (ISO 14396)	22.0 kW / 2,400 min ⁻¹
Maximum Torque	107.1 Nm / 1,440 min ⁻¹
Displacement	1,642 ml
Alternator	12 V - 0.48 kW
Battery (IEC 60095-1)	12 V - 64 A·h

FLUID CAPACITY

Engine Lubrication	4.7 L
Cooling System	6.0 L
Fuel Tank Capacity	40.0 L
Hydraulic Reservoir Capacity	41.0 L
Hydraulic System Capacity	68.0 L

HYDRAULIC SYSTEM

P1, P2	Variavle Displacement Pump
Flow Rate	38.9 L/min
Relief Pressure	21.0 MPa
P3	Gear Pump
Flow Rate	22.8 L/min
Relief Pressure	19.6 MPa
Service Port 1	
Flow Rate	61.7 L/min
Hydraulic Pressure	21.0 MPa
Service Port 2	
Flow Rate	22.8 L/min
Hydraulic Pressure	19.6 MPa
Service Port 3	
Hydraulic Pressure	19.6 MPa

SAFETY and HEALTH

Vibration Levels	
Hand / Arm	≤ 2.5 m/s ²
Body	≤ 0.5 m/s ²
Noise Level	
Sound Power Level	LWA 95 dB



Multi-Informational Display



Full Rotation Capability

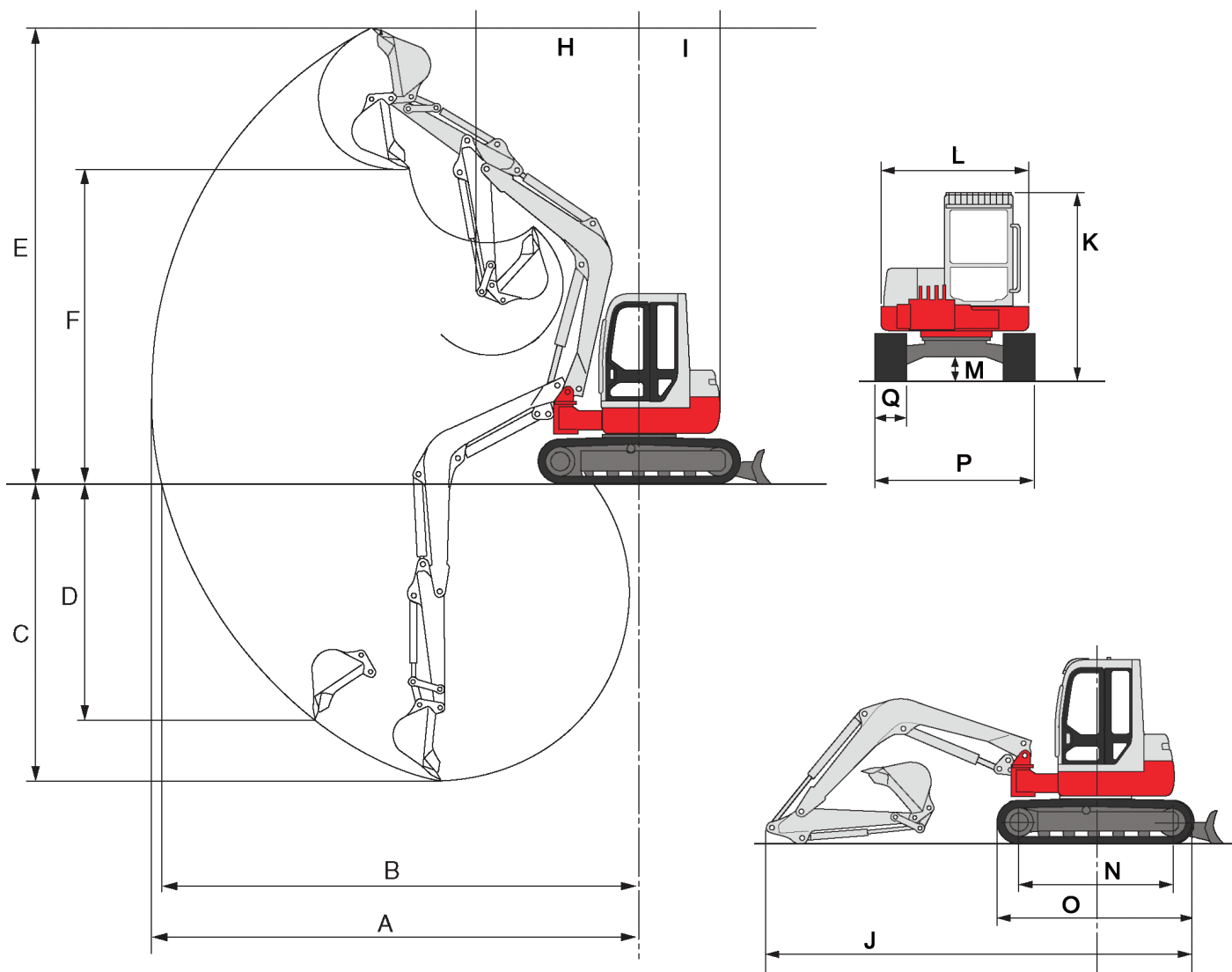


2 Speed Travel w/ Auto Shift



Auxiliary Hydraulic Lines

TB138FR Compact Excavator



MACHINE DIMENSIONS	1,290 mm ARM	1,600 mm ARM
A Maximum Reach	5,260 mm	5,550 mm
B Maximum Reach at Ground Level	5,130 mm	5,425 mm
C Maximum Digging Depth	3,110 mm	3,420 mm
D Maximum Vertical Digging Depth	2,365 mm	2,635 mm
E Maximum Height of Cutting Edge	5,020 mm	5,220 mm
F Maximum Dumping Height	3,595 mm	3,795 mm
H Front Swing Radius with Boom Offset	1,155 mm	1,325 mm
I Slew Radius	955 mm	955 mm
J Overall Length	4,715 mm	4,770 mm
K Overall Height (Cab / Canopy)	2,555 mm/2,565 mm	2,555 mm/2,565 mm
L Upper Structure Overall Width	1,640 mm	1,640 mm
M Ground Clearance	295 mm	295 mm
N Crawler Base	1,655 mm	1,655 mm
O Crawler Overall Length	2,110 mm	2,110 mm
P Crawler Overall Width	1,740 mm	1,740 mm
Q Crawler Shoe Width	350 mm	350 mm